



CAST MR-16 Area/Path Light (CBAL1CB) Product Information



Description

This rugged solid bronze MR-16 fixture sits on a 20" stem providing a directional light that extends above plant material.

Features

- Solid bronze shroud and body
- Fixture provided with large SOLID BRONZE talon stake with three 1/4" x 7" stainless steel spikes
- Heavy-gauge copper stem
- Extra protection from water intrusion when used in down-lighting applications
- Extra-long shroud for glare control
- Knuckle adjusts to any angle
- Convex lens to prevent mineral build-up
- Pre-wired with 25' tin-coated No-Ox® marine grade wire
- High-temp socket with solid nickel contacts
- Includes heat shield to protect socket
- Spider Splice® ready

Uses

Great for projecting at any angle in situations where the fixture must extend above plant material. Often used for grazing driveways, fences and retaining walls.

Construction

Solid bronze shroud, body, and SOLID BRONZE talon stake; Heavy-gauge copper stem; borosilicate convex lens; ceramic socket with solid nickel contacts and stainless steel spring; stainless steel lock nut and set screw; 25' tin-coated #16-2 No-Ox® marine-grade wire; silicone rubber O-rings.

Dimensions

Stem and body: 20.5" tall x 10.25" wide (when extended at 90° angle); 2.5 inches (across body)

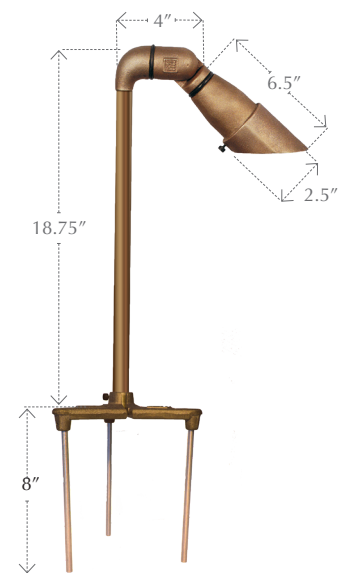
Stake: 13.5"

Specifications

Lamp: 12V MR-16 (50w max.)

Listing

U.L 1838 Listed Low Voltage Luminaire for wet locations



CBAL1CB